

Pelton Wheel Flow Sensor



measuring
•
monitoring
•
analyzing

DPM



- Flow Range: 0.24...4.8 GPH to 0.8...80 GPH
- Brass or Stainless Steel Bodies
- Frequency Pulse or 4-20 mA Outputs
- Long-Life Sapphire Axle/Bearing Assembly
- Compact Design



KOBOLD companies worldwide:

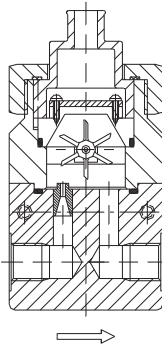
ARGENTINA, AUSTRIA, BELGIUM, BULGARIA, CANADA, CHILE, CHINA, COLOMBIA, CZECH REPUBLIC, EGYPT, FRANCE, GERMANY, GREAT BRITAIN, HUNGARY, INDIA, INDONESIA, ITALY, MALAYSIA, MEXICO, NETHERLANDS, PERU, POLAND, ROMANIA, SINGAPORE, SOUTH KOREA, SPAIN, SWITZERLAND, TAIWAN, THAILAND, TUNISIA, TURKEY, USA, VIETNAM

KOBOLD Instruments, Inc.
1801 Parkway View Drive
Pittsburgh, PA 15205
Main Office:
1.800.998.1020
1.412.788.4890
info@koboldusa.com
www.koboldusa.com



Description

The DPM Series flow sensor uses the pelton wheel principle to measure the flow of water and water-based, low-viscosity liquids that are optically transparent. Liquid passes through a nozzle at the inlet of the flow body and is precisely directed onto a flat-blade pelton turbine. The flow sensor's pelton turbine wheel rotates at a speed proportional to flow rate. The movement of the pelton wheel is detected optically, and the signal from the optical sensor is processed as an amplified pulse or 4-20 mA signal, both of which are proportional to flow rate. In addition to the DPM Series pelton wheel flow sensor's compact design, the inlet flow is redirected via a nozzle; therefore, no inlet or outlet straight piping is required and allows the unit to be mounted in any orientation with the axle remaining in the horizontal plane. These features make the DPM Series flow sensor ideal for mounting in locations where space is tight.



Specifications

Accuracy

DPM..K000 & DPM..F300: ±2.5% of f. s.
DPM..L, DPM..C & DPM..Z: ±1.5% of f. s.

Maximum Pressure: 230 PSIG

Operating Temperature: -10...176 °F

Electrical Protection: IP 65

Materials of Construction

Housing: 316L SS or Ni-Plated Brass depending on model number

Nozzle: 316L SS

Axle/Bearing: Sapphire

Pelton Wheel: Polypropylene

Receiver: Polysulfone

O-ring: NBR for Brass housings, FKM for 316L SS housings

Electrical Specifications

Frequency Output

Output Type
DPM..K000: NPN, open collector, 10 mA max.

DPM..F300: PNP, open collector, 25 mA max.

Input Power

DPM..F300: 24 V_{DC} ±20%

DPM..K000: 4.5-12 V_{DC}

Frequency Range: Based on model number

Electrical Connection

DPM..K000:

DPM..F300:

5 ft. PVC cable
Micro-DC plug,
4-pin male

4-20 mA Output

Output Type:

Max. Loop Load:

Power Requirement:

Electrical Protection:

Electrical Connection:

4-20 mA, 3-wire
500 ohms
±24 V_{DC} 20%
IP 65
Micro-DC plug,
4-pin male or
DIN 43650
(Hirschmann) plug

Compact Electronics

Output Types:

Analog Output:

Switch Type:

Switch Rating:

Power Requirement:

Display Type:

User Programmable

Functions:

Housing:

Electrical Connection:

Analog output with
1 open collector
switch or 2 open
collector switches
4-20 mA, 3-wire
RL<500 ohms
PNP open
collector based on
ordering code
300 mA Max. short
circuit protected
24 V_{DC} ±20%
3 digit LED
Transmitter span,
switch setpoint,
lockout code
304 SS
M-12 Micro-DC plug,
5-pin male

Order Details (Example: **DPM-1170 N1 K000**)

Range Water [GPH]	Approx Frequency [Hz] at Max Flow	DP at Max. Flow [PSI]	Housing Material		Fitting Size	Output/Electronics
			Brass	316L SS		
0.24...4.8	165	13.5	DPM-1153..	DPM-1553..	..N1.. = 1/8" NPT ..N2.. = 1/4" NPT ..G1.. = G 1/8 ..G2.. = G 1/4	..K000 = OEM Frequency Output with 5 ft. PVC Cable ..F300 = Frequency Output Micro-DC Plug ..L343 = 4-20 mA, 3-Wire Output with Micro-DC Plug ..L443 = 4-20 mA, 3-Wire Output with DIN 43650 Plug ..C34P = Compact Electronics, 4-20 mA , 1 PNP Switch ..C30R = Compact Electronics, 2 PNP Switches ..Z340 = Analog Indicator + 4-20 mA, 3-Wire
0.8...11.1	228	16.8	DPM-1157..	DPM-1557..		
0.8...15	217	17.7	DPM-1160..	DPM-1560..		
0.8...30	344	13.2	DPM-1170..	DPM-1570..		
0.8...48	372	8.8	DPM-1180..	DPM-1580..		
0.8...60	415	8.3	DPM-1190..	DPM-1590..		
0.8...80	439	8.3	DPM-1195..	DPM-1595..		

Accessories: Part Number **807.037** = Mating 4 pin Micro-DC connector with 6 ft. cable for output ..F300 & ..L343
 Part Number **807.007** = Mating 5 pin Micro-DC connector with 6 ft. cable for output ..C34P, ..C30R & ..Z340

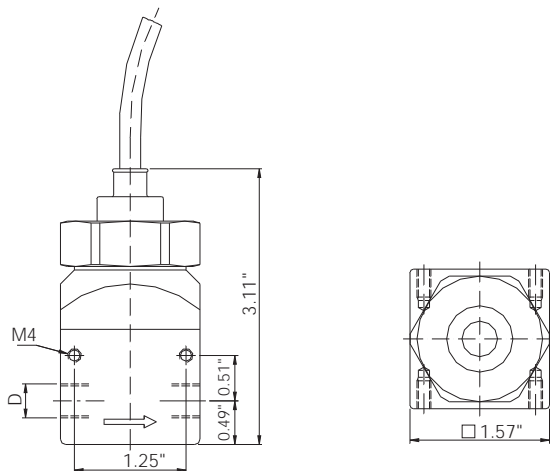
Plug-On Display: for Model DPM-..L443 (4-20 mA Output, DIN Plug Connector)

Description	Model Number
4-Digit LED, Plug Connector DIN 43 650, 3-wire, Power Supply Via Analog Output	AUF-3000

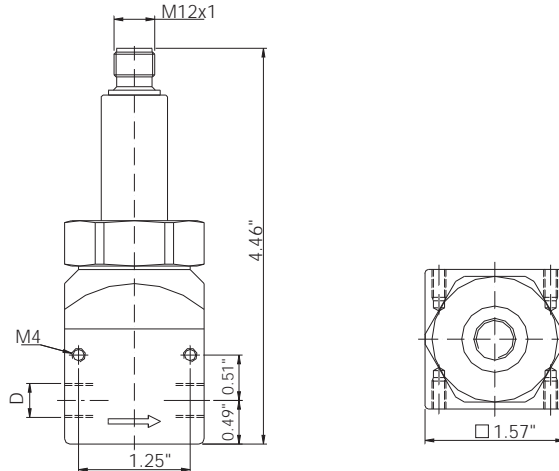


Dimensions

DPM with Frequency Output (..K000)



DPM with Micro-DC Plug (..F300, ..L343)

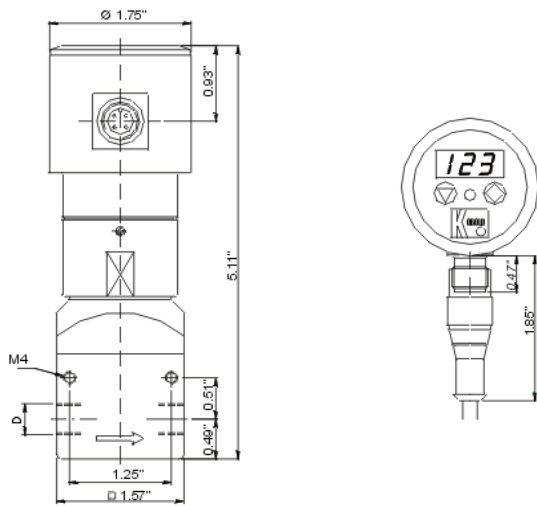




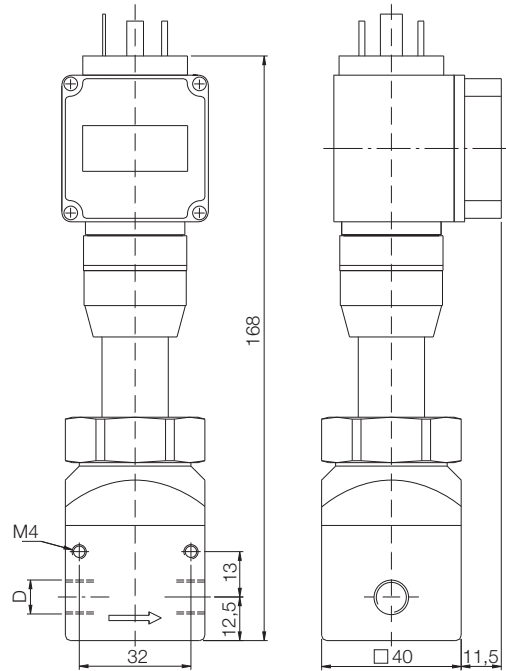
Pelton Wheel Flow Sensor Model DPM

Dimensions

DPM with Compact Electronic (..C30R, ..C34P)



DPM with ..L443 Output (Shown with AUF-3000 Display)



DPM with Analog Output and Pointer Indicator (..Z340)

