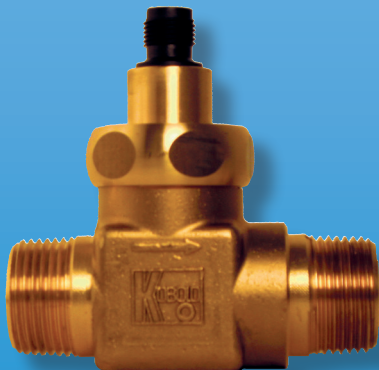


OEM Turbine Flow Sensor for Liquids



measuring
•
monitoring
•
analyzing

DRS



- Flow Range 0.6...10.5 GPM
- Accuracy $\pm 1.5\%$ of Full Scale
- PPO Plastic, Brass, or Stainless Steel Construction
- Pulse, 4-20 mA, or Switching Outputs
- Low Cost



KOBOLD companies worldwide:

ARGENTINA, AUSTRIA, BELGIUM, BULGARIA, CANADA, CHILE, CHINA, COLOMBIA, CZECH REPUBLIC, EGYPT, FRANCE, GERMANY, GREAT BRITAIN, HUNGARY, INDIA, INDONESIA, ITALY, MALAYSIA, MEXICO, NETHERLANDS, PERU, POLAND, ROMANIA, SINGAPORE, SOUTH KOREA, SPAIN, SWITZERLAND, TAIWAN, THAILAND, TUNISIA, TURKEY, USA, VIETNAM

KOBOLD Instruments, Inc.
1801 Parkway View Drive
Pittsburgh, PA 15205
Main Office:
1.800.998.1020
1.412.788.4890
info@koboldusa.com
www.koboldusa.com



Description

The KOBOLD DRS series offers a compact, quality solution with a low price tag. It features a vane-axial turbine design with embedded permanent magnets and a Hall effect sensor. This allows both clear and opaque liquids to be metered. The vane is sapphire-supported: this ensures a high degree of linearity and long service life. The turbine bodies are available in PPO, brass, or stainless steel. Signal outputs available are frequency or 4-20mA. Compact electronics and an integrated temperature sensor are available as options. Common applications include: the beverage industry, washing machines, vehicles, farm equipment, photography developing machines, and the printed-circuit board industries.

Model Summary

- **DRS-0..K000**
OEM Version (without CE Mark)
Direct Output from Hall-sensor Signal
No Optional Temperature Sensor Available
- **DRS-..F300**
Pulse Output
- **DRS-..L..**
Analog Output 4-20 mA / 3-wire
- **DRS-..C30R**
With Compact Electronics, 3-digit LED Display,
Limit Contacts, No Optional Temperature Sensor Available
- **DRS-..C34P**
With Compact Electronics
3-digit LED Display, Limit Contact, Analog Output
No Optional Temperature Sensor Available
- **DRS-..Z..**
With Pointer Indicator and Analog Output
No Optional Temperature Sensor Available

Technical Details

Measuring Range: 0.6...10.5 GPM (Water)

Sensor Pulse Output: 384 Hz at 10.5 GPM,
Metal Sensor (DRS-180..; DRS-280..)
352 Hz at 10.5 GPM
Plastic Sensor (DRS-380..)



Max. Operating Pressure:	2900 PSIG (DRS-180; DRS-280) 230 PSIG (DRS-380)
Temperature:	-4... 176 °F (-4...300 °F with DRS-...S)
Wetted Materials	
Plastic Version:	PPO, PEI, NBR, Sapphire, 316 SS
Brass Version:	Brass, PEI, NBR, Sapphire, 316 SS
SS Version:	304 SS, PEI, FKM, Sapphire, 316 SS
Measuring Accuracy:	± 1.5% of Full Scale ± 5% of Full Scale (DRS-..K0000)
Linearity:	± 0.5% of Full Scale
Repeatability:	± 0.1% of Full Scale
Electrical Connection:	Plug Connector M12x1 1.5 m Cable (DRS-0 only) 2 m Cable (DRS-..F5 only)
Protection:	IP 65 (Plug Conn.), IP 66 (Cable)
Weight	
Sensor:	Approx. 0.18 lb (DRS-..380) Approx. 1.22 lb (DRS-..180; DRS-..280)
Electronics:	Approx. 0.13 lb (DRS-..K..; DRS-..F.; DRS-..L3...) Approx. 0.22 lb (DRS-..L442) Approx. 1.00 lb (DRS-...Z..) Approx. 1.44 lb (DRS-..C..)



Electrical Data

DRS-0..K0000

Supply: 6-16 V_{DC}
Output Pulse: Rectangular Pulse Signal,
 Open Collector NPN, Max. 10 mA

DRS-..F300; DRS-..F500

Supply: 12-28 V_{DC}
Power Consump.: 10 mA
Pulse Output: PNP, Open Collector, Max. 20 mA
Option: Pt 100, 3-wire

DRS-..L..

Supply: 24 V_{DC} ± 20 %
Output: 4-20 mA, 3-wire or 2-wire
Max. Load: 500 Ω
Option: Pt 100 (3-wire only)

DRS-..C30R: Compact Electronics

Display: 3-digit LED
Switching Outputs: 2 Semiconductor PNP or NPN,
 (Factory Set)
Contact Operation: N/C / N/O Contact Frequency,
 Programmable
Setting: with 2 Buttons
Supply: 24 V_{DC} ±20%, 3-wire
Electrical Connect.: Plug Connector M12x1

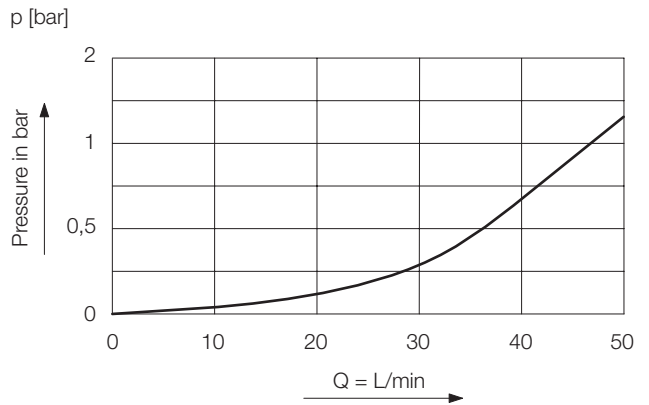
DRS-..C34P: Compact Electronics

Display: 3-digit LED
Output: 4...20 mA Adjustable
Switching Outputs: 1 Semiconductor PNP or NPN,
 (Factory Set)
Contact Operation: N/C / N/O Contact / Frequency,
 Programmable
Setting: with 2 Buttons
Supply: 24 V_{DC} ±20%, 3-wire
Power Consump.: Approx. 100 mA
Electrical Connect.: Plug Connector M12x1

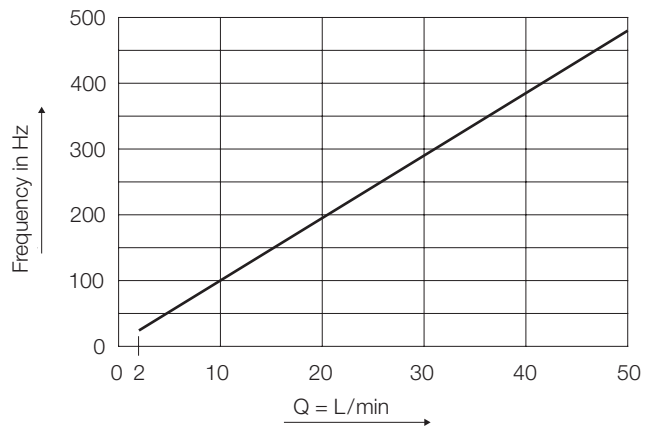
DRS-..Z.: Pointer Indicator with Analog Output

Housing: Aluminum
Display: Moving-coil Instrument, 240° Display
Power Supply: 24 V_{DC} ±20%
Output: 0-20 mA or 4-20 mA, 3-wire
Max. Load: 250 Ω
Electrical Connect.: Plug Connector M12x1

Pressure Loss



Frequency Diagram (DRS-..180, DRS-..280)





OEM Turbine Flow Sensor Model DRS

Order Details for Standard Versions (Example: DRS-9180 N5 F500)

Body Materials	Model Number	Mechanical Connection	Output / Electronics	Options
Brass	DRS-9180..	..N4.. = 1/2" NPT Female ..N5.. = 3/4" NPT Male ..I4.. = G 1/2 Female ..G4.. = G 1/2 Male/Female ..G5.. = G 3/4 Male	..F300 = PNP Frequency Output, Micro-DC Plug ..F500 = PNP Frequency Output, 6 Ft. PVC Cable ..L342 = 4-20 mA, 2-wire, Micro-DC Plug ..L343 = 4-20 mA, 3-wire, Micro-DC Plug ..L442 = 4-20 mA, 2-wire DIN 43650 Plug	..P = Pt-100, 3-wire RTD (not for output options L342, L442, C34P, C30R, or Z340)
Stainless Steel	DRS-9280..	..N5.. = 3/4" NPT Male ..G4.. = G 1/2 Male/Female ..G5.. = G 3/4 Male	..C30R* = Compact Electronics 2 PNP Switch ..C34P* = Compact Electronics 4-20 mA + 1 PNP Switch	
PPO Plastic	DRS-9380..	..N5.. = 3/4" NPT Male ..G4.. = G 1/2 Male/Female ..G5.. = G 3/4 Male	..Z340* = Analog Indicator + 4-20mA 3-wire	

Accessories:

807.037 = Mating 4 PIN Micro-DC Connector with 6 ft. Cable for Output Types F300, F390, F500, L342, L343 & Z340

807.007 = Mating 5 PIN Micro-DC Connector with 6 ft. Cable for Output Types C34P & C30R

*Please specify flow direction in writing.

Order Details for OEM Versions (Example: DRS-0380 N5 K000)

Body Materials	Model Number	Mechanical Connection	Output Type
Brass	DRS-0180..	..N5.. = 3/4" NPT Male	..K0000 = NPN Frequency Output, 5 ft. PVC Cable, without CE ..S0000 = 1.5 m Silicone Cable, NPN, OEM without CE, Max 300 °F (not for DRS-0350)
Stainless Steel	DRS-0280..	..G4.. = G 1/2 Male/Female	..S000P = 1.5 m Silicone Cable, NPN, OEM without CE, Pt 100, Max 300 °F (not for DRS-0350)
PPO Plastic	DRS-0380..	..G5.. = G 3/4 Male	

Order Details: Plug-on Display (Model DRS...L442)

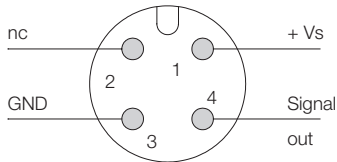
Description	Model Number
4 Digit LED DIN 43 650 Connector 2-Wire Supply Through Analog Output	AUF-1000
Same Specs as Above Additional Open Collector Output	AUF-1001



Electrical Connections

DRS-..F., DRS-..L3.. (3-wire without Pt 100)

Plug

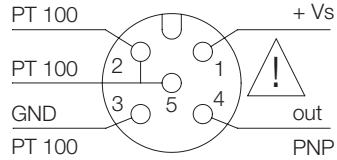


Cable

- Brown: +Vs
- Blue: GND
- Black: Signal

DRS-..F., DRS-..L3.. (3-wire with Pt 100)

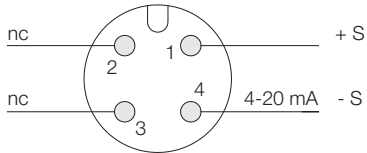
Plug



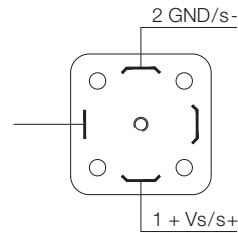
Cable

- Brown: +Vs
- Blue: GND
- Black: Signal
- White: Pt 100 2-wire
- Grey: Pt 100 3-wire

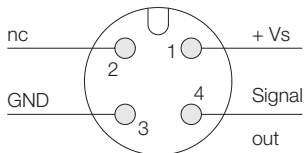
DRS-..L342 (2-wire)



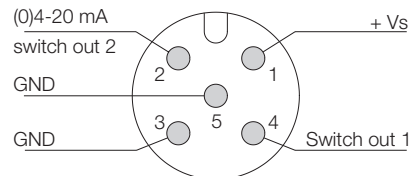
DRS-..L442..



DRS-..Z..



DRS-..C3..

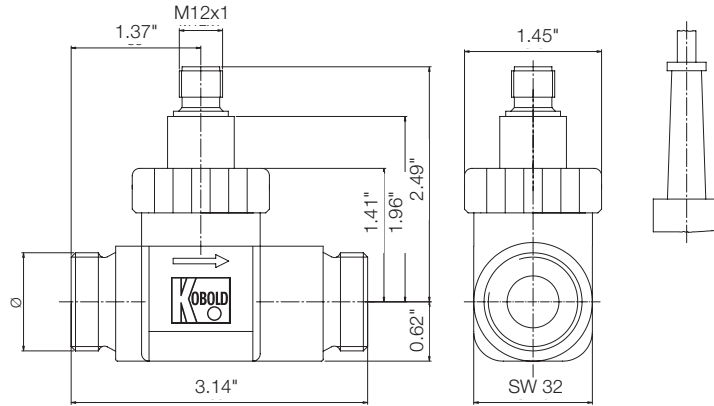




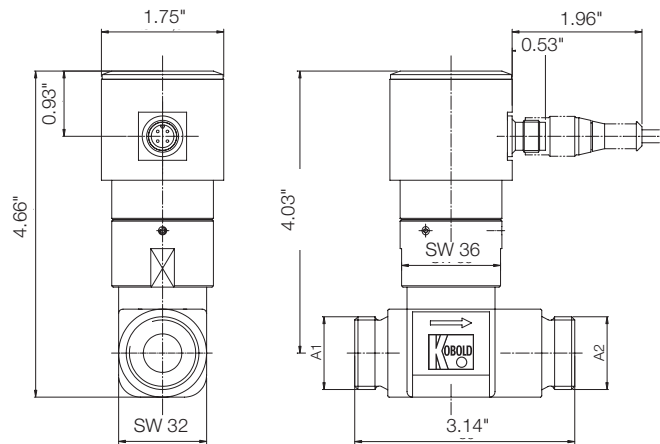
OEM Turbine Flow Sensor Model DRS

Dimensions

DRS with Micro-DC Plug



DRS with Compact Electronics



DRS with Pointer Indicator

