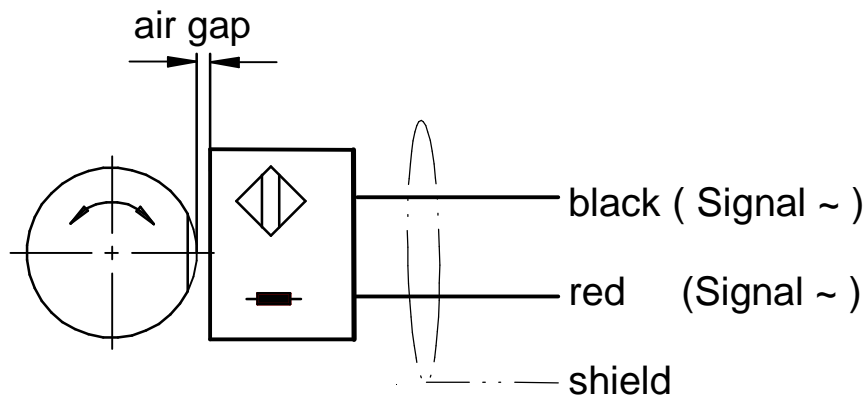


SIGNAL POLARITY

Upon approach of ferrous material black is positive with respect to red

SCHEMATIC DIAGRAM



Ⓞ Critical characteristic

Ⓜ Major characteristic

3042611632				12080	dimension unit mm	CAD System SolidEdge V20	Copyright reserved according DIN 34						
part no.		material / surface treatment / remarks			project no.		general tolerances according DIN ISO 2768-m						
							nominal size range						
							>0.5	>6	>30	>120	>400	>1000	
							-6	-30	-120	-400	-1000	-2000	
							allowed tolerance						
							±	0.1	0.2	0.3	0.5	0.8	1.2
002		01.07.14	TA	shaft length as MC; TÜV logo added		first angle projection	drawn 30.08.13		drawn by TA				
001		20.09.13	TA	cable length defined		workflow status	approved		workflow user				
rev.	ecn.	date	sign.	change description		scale	workflow date		workflow user				
						2:1	01.07.14		WS				
JAQUET TECHNOLOGY GROUP		part name				drawing type		Massbild					
Thannerstrasse 15 CH - 4009 Basel www.jaquet.com		Variable Reluctance Speed Sensor DSE 1010.07 SHZ SIL				format		drawing no.		rev.			
						A3		124551		002			