

# Acrylic Variable Area Flowmeter for liquids or gases



measuring  
•  
monitoring  
•  
analyzing

KFR



- Easy to Read Scales
- Water Ranges: 0.2...2.0 GPH to 2.0...20 GPM
- Air Range: 0.1...1.0 SCFH to 10...100 SCFM
- Durable One-Piece Construction
- Low Cost
- Metric Scales Available



KOBOLD companies worldwide:

ARGENTINA, AUSTRIA, BELGIUM, BULGARIA, CANADA, CHILE, CHINA, COLOMBIA, CZECH REPUBLIC, EGYPT, FRANCE, GERMANY, GREAT BRITAIN, HUNGARY, INDIA, INDONESIA, ITALY, MALAYSIA, MEXICO, NETHERLANDS, PERU, POLAND, ROMANIA, SINGAPORE, SOUTH KOREA, SPAIN, SWITZERLAND, TAIWAN, THAILAND, TUNISIA, TURKEY, USA, VIETNAM

KOBOLD Instruments, Inc.  
1801 Parkway View Drive  
Pittsburgh, PA 15205  
Main Office:  
1.800.998.1020  
1.412.788.4890  
info@koboldusa.com  
www.koboldusa.com



**Description**

The KFR line of flowmeters deliver accuracy and range availability at a low cost. Bridging the microflow and large flow ranges, it provides an effective solution for many industrial applications. The durable KFR has a one-piece acrylic body with PVC or metal fittings. To eliminate errors in readings, large lettering and extra hash marks make the scale clearly visible. The low flow meters offer an inherently stable float design and are also available with integral needle valves. The larger meters feature a float stabilization mechanism that enables a small installation footprint and a low price.

**Features**

- Easy-to-read English or Metric Scales
- Water ranges from .2...2 GPH to 2...20 GPM
- Air ranges from 0.1...1 SCFH to 10...100 SCFM
- Easy disassembly for maintenance
- Durable one-piece clear acrylic construction
- Stable easy-to-read float
- Superior quality



**Applications**

- Air sampling equipment
- Aquaculture
- Desalinization equipment
- Gas analyzers
- Medical systems
- Photoprocessing equipment
- Water treatment and distribution systems

**Specifications**

- Accuracy:**
  - Model 1000/2000:** ±5% of full scale
  - Model 3000/4000:** ±3% of full scale
  - Model 35000/45000:** ±3% of full scale
  - Model 5000/6000:** ±2% of full scale
- Fitting:** Female NPT
- Max Pressure:** 100 PSIG
- Max Temperature:** 150 °F
- Wetted Parts:**
  - Body:** Clear Acrylic
  - Fittings:** Brass, PVC, or SS
  - Seals:**
    - Brass Fittings:** NBR
    - PVC Fittings:** NBR
    - SS Fittings:** FKM
  - Float:** Glass or SS  
(See Order Details-Page 3)

Acrylic Flowmeter Model KFR



**Order Details: Model KFR-1000/2000**

Water				Air			
Range GPH	Float Material	Fitting Material		Range SCFH	Float Material	Fitting Material	
		Brass	SS			Brass	SS
0.2...2	Glass	KFR-1118	KFR-1218	0.1...1	Glass	KFR-2100	KFR-2200
0.4...5	SS	KFR-1119	KFR-1219	0.2...2	SS	KFR-2101	KFR-2201
1...10	Glass	KFR-1120	KFR-1220	0.4...5	Glass	KFR-2102	KFR-2202
2...20	SS	KFR-1121	KFR-1221	1.0...10	Glass	KFR-2103	KFR-2203
4...40	SS	KFR-1122	KFR-1222	2...20	SS	KFR-2104	KFR-2204
Options		Order Suffix		3...30	SS	KFR-2105	KFR-2205
Brass Inlet Needle Valve		..V1		4...50	Glass	KFR-2106	KFR-2206
Stainless Steel Inlet Needle Valve		..V2		10...100	SS	KFR-2107	KFR-2207
Hose Barb Adapters 1/4"		..S		20...200	SS	KFR-2108	KFR-2208

**Order Details: Model KFR-3000/4000**

Water				Air			
Range GPH	Float Material	Fitting Material		Range SCFH	Float Material	Fitting Material	
		Brass	SS			Brass	SS
1...10	Glass	KFR-3145	KFR-3245	0.4...5	Glass	KFR-4130	KFR-4230
2...25	SS	KFR-3146	KFR-3246	1...10	SS	KFR-4131	KFR-4231
4...50	SS	KFR-3147	KFR-3247	2...20	Glass	KFR-4132	KFR-4232
6...60	SS	KFR-3148	KFR-3248	4...40	SS	KFR-4133	KFR-4233
				10...100	SS	KFR-4134	KFR-4234
Options		Order Suffix		14...150	SS	KFR-4135	KFR-4235
Brass Inlet Needle Valve		..V1		20...200	SS	KFR-4136	KFR-4236
Stainless Steel Inlet Needle Valve		..V2		SCFM			
Hose Barb Adapters 1/4"		..S		0.3...3	SS	KFR-4137	KFR-4237

**Order Details: Model KFR-35000/45000**

Water				Air			
Range GPM/GPH	Float Material	Fitting Material		Range SCFM/SCFH	Float Material	Fitting Material	
		Brass	SS			Brass	SS
0.2...2.5/12...150	SS	KFR-35164	KFR-35264	0.5...5/30...300	SS	KFR-45167	KFR-45267
0.4...5/24...300	SS	KFR-35166	KFR-35266	1...10/60...600	SS	KFR-45165	KFR-45265
Options		Order Suffix					
Brass Inlet Needle Valve		..V1					
Stainless Steel Inlet Needle Valve		..V2					

**Order Details: Model KFR-5000/6000**

Water			Air		
Range GPM	Float Material	Fitting Material	Range SCFM	Float Material	Fitting Material
		PVC			PVC
0.4...5	SS	KFR-5356	3...25	SS	KFR-6350
1...10	SS	KFR-5357	4...50	SS	KFR-6351
2...20	SS	KFR-5358	10...100	SS	KFR-6352
Options		Order Suffix			
Panel Mount Version with Rear Inlet/Outlet Fittings		..PM			
Panel Mount Version with Rear Inlet/Outlet Fittings and Inlet Needle Valve		..PMV1			

02/08 - 2013

No responsibility taken for errors;  
subject to change without prior notice.

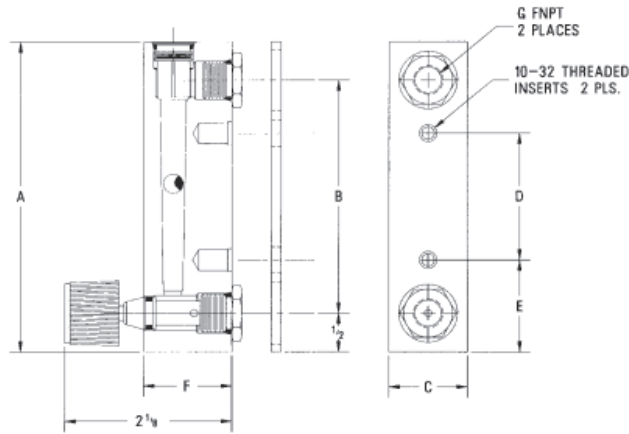
www.koboldusa.com



## Acrylic Flowmeter Model KFR

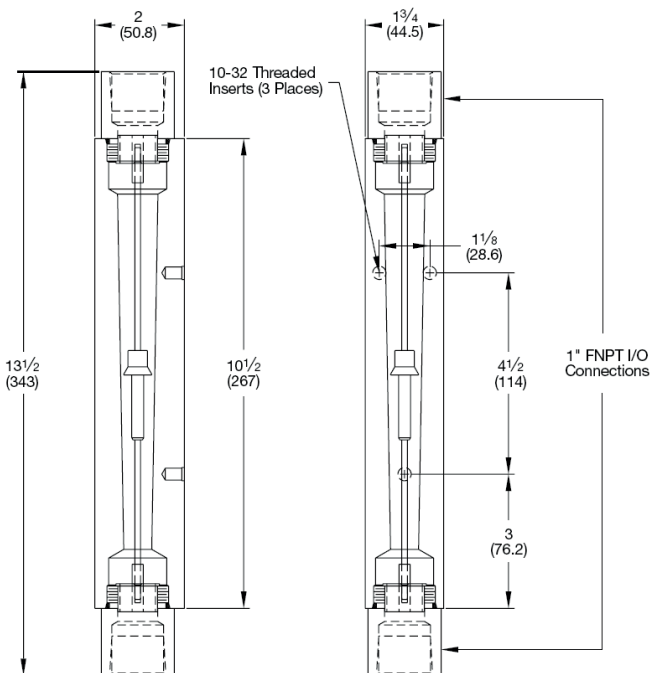
### Dimensions

KFR-1000 through KFR-45000



Dimensions in Inches							
Model	A	B	C	D	E	F	G
1000/2000	4	3	1	1-5/8	1-3/16	1-1/8	1/8
3000/4000	6-1/2	5-1/2	1-3/8	3-1/2	1-1/2	1-1/8	1/8
35000/45000	6-5/8	5-1/2	1-1/8	3-1/2	1-1/2	1-3/8	1/4

KFR-5000/6000  
Standard Configuration



KFR-5000/6000  
With Panel Mount Option

