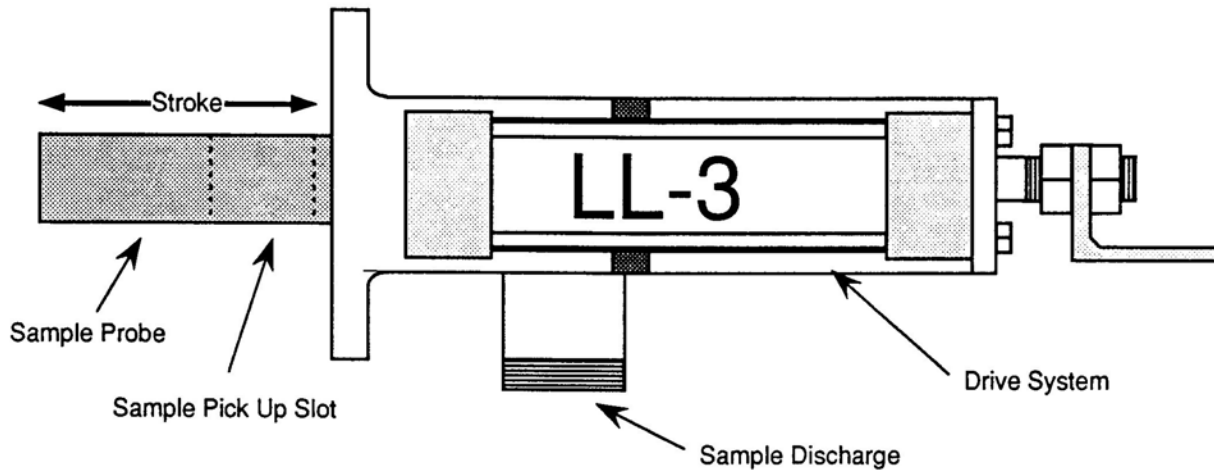


# ***AUTOMATIC SAMPLER***

## ***LL-3 Automatic Sampler for liquids and slurries from pressurized conveying lines***



**SAMPLER OPERATION:** The QCEC Model LL-3 Liquid Flow Automatic Sampler uses a 440 C stainless steel reciprocating probe with 15 cc sample capacity to receive a sample. Each sample cycle begins with the control actuating a 4 way solenoid valve. The solenoid valve activates twin air cylinders extending the probe into the process line. The probe is retracted and the sample is discharged into the composite container.

### ***FEATURES:***

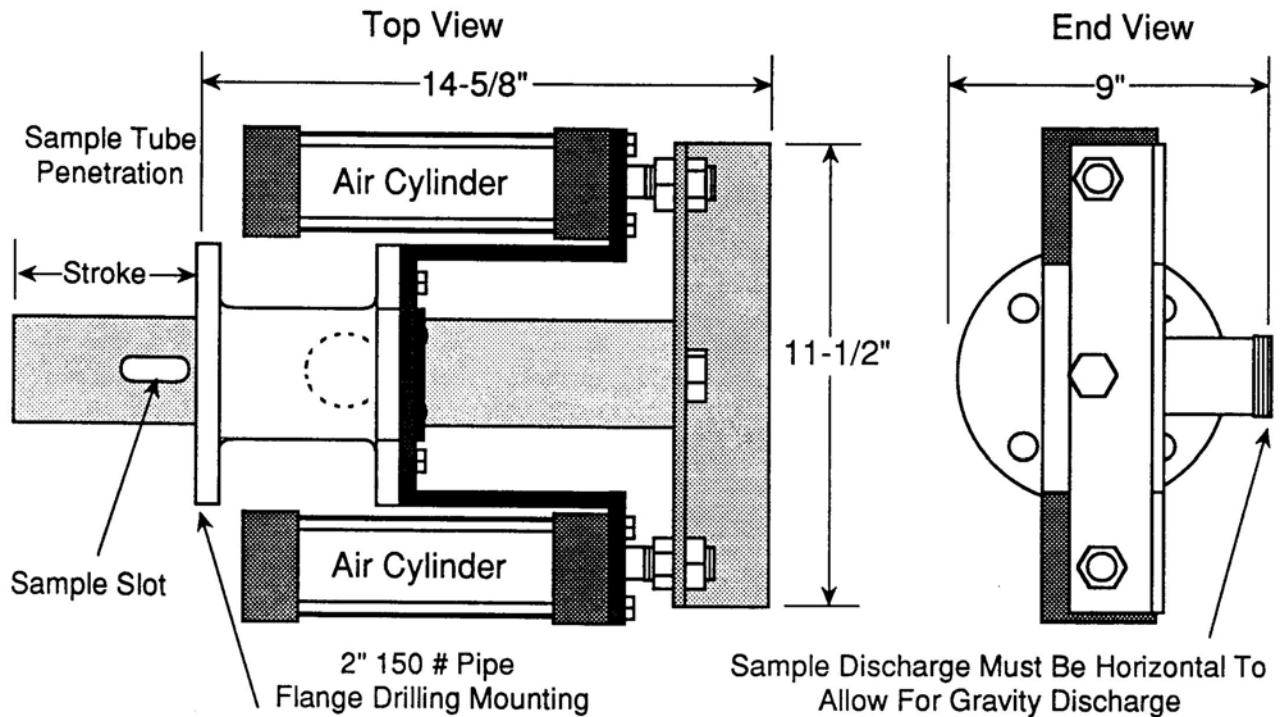
- **Obstructionless When Not In Use.**
- **Seals Protected In A Stainless Steel Housing.**
- **Safety Designed.**
- **Programmable Sampling Frequency At Finger Tips.**
- **Completely Explosion-proof.**
- **Pneumatic Operated.**
- **Controlled Sample Size.**
- **Long Lasting Materials Of Construction.**



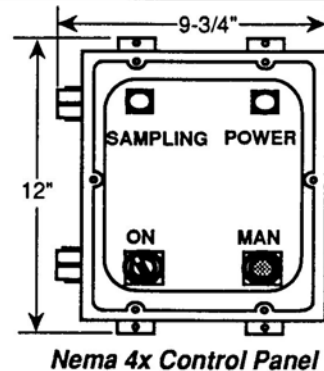
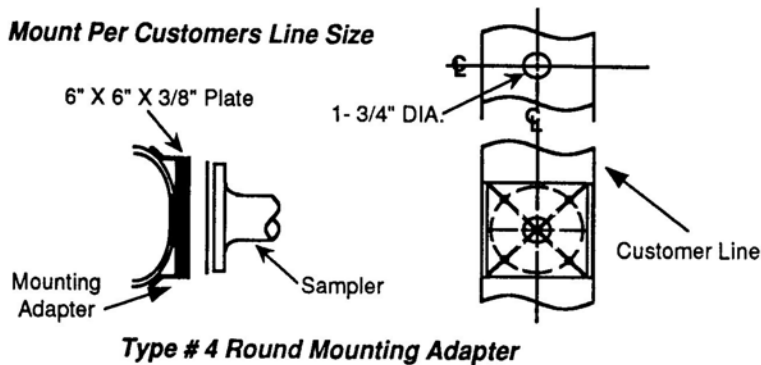
***Exceeding customers' expectations...***

# ENGINEERING DATA

- 316 Stainless steel body with 150 lb fabricated mounting flange with 1-1/4" NPT discharge pipe.
- 440 C hardened to C50/60 ground and polished stainless steel 1-1/2" diameter sample probe with a 15 cc sample slot.
- Twin 2" bore X 6" stroke air cylinders, nickel plated yoke and frame.
- Super Monoseal arrangement system to 150 psi line pressure.
- Scraper ring, Fluorosint® bushings and Viton® o rings.
- Complete air package and 4 way solenoid valve.
- Separate NEMA 4 X 120 volt control with programmable interval timer, adjustable dwell timer, manual push button, pilot light, on/off switch, terminal strip and fuse.



## Mount Per Customers Line Size



## QUALITY CONTROL EQUIPMENT COMPANY

1916 Dean Ave. P.O. Box 6010 Des Moines, Iowa USA 50309  
 Phone 515/266-2268 Fax 515/266-0243