

Air Flow Switch for Ducts



measuring
•
monitoring
•
analyzing

LPS



- Adjustable Switch Point
- Micro Switch Rated to 15 Amps
- Vertical or Horizontal Installation



KOBOLD companies worldwide:

ARGENTINA, AUSTRIA, BELGIUM, BULGARIA, CANADA, CHILE, CHINA, COLOMBIA, CZECH REPUBLIC, EGYPT, FRANCE, GERMANY, GREAT BRITAIN, HUNGARY, INDIA, INDONESIA, ITALY, MALAYSIA, MEXICO, NETHERLANDS, PERU, POLAND, ROMANIA, SINGAPORE, SOUTH KOREA, SPAIN, SWITZERLAND, TAIWAN, THAILAND, TUNISIA, TURKEY, USA, VIETNAM

KOBOLD Instruments, Inc.
1801 Parkway View Drive
Pittsburgh, PA 15205
☎ Main Office:
1.412.788.2830
☎ 1.412.788.4890
info@koboldusa.com
www.koboldusa.com

Description

KOBOLD LPS air flow switches are widely used to control flow setpoints in HVAC applications. In addition to being rugged, they have the added benefit of being inexpensive. The principle of operation is quite simple. Air flow exerts a force on a paddle, actuating a dust-tight microswitch. The switching point may be adjusted continuously within a wide range, making the LPS useful for a large variety of applications.

The instrument is factory set to switch at 195 FPM. To handle air velocities of more than 920 FPM, the paddle may be cut at a precalibrated mark. This automatically changes the factory set point to 490 FPM.



Specifications

Air Temperature: max. 185 °F

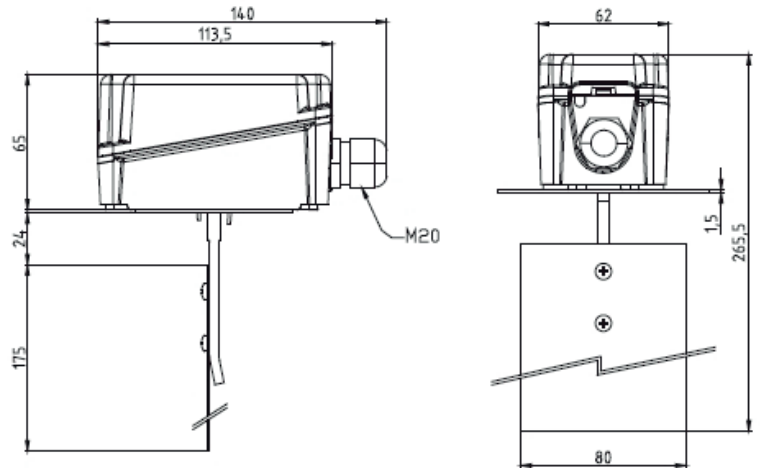
Installation:
 Universal. The arrow must point in flow direction.
 Vertical installation requires re-adjustment of the switching point to compensate for paddle weight.

Micro Switch: Dust-proof SPDT
 Switching Voltage: 24...250V_{AC}
 Switching Current: max. 8A (inductive load)
 max. 15A (resistive load)

Materials
 Paddle: 304 SS
 Lever: Brass
 Housing: ABS, Fiberglass
 Mounting Plate: Zinc-plated Steel
 Flat Gasket: Flexoid

Protection: IP65 (external)

Dimensions (mm)



Applications

- Air ducts in air conditioning systems
- Air discharge and exhaust gas channels
- Pneumatic conveyors
- On filters
- On cyclones
- Cooling and drying plants
- Ventilator/blower performance monitoring

Adjustable Velocity Range FPM				Order Number
Switching-off		Switching-on		
Min.	Max.	Min.	Max.	
195	1575	495	1810	LPS-1100P