

# P-1700 Series pneumatic positioner



...for use in corrosive environments

## Description

The PMV P-1700 series is specially designed for use in corrosive or high temperature environments with all external parts made from stainless steel.

Internal parts are made from stainless steel on models P-1700 and P-1720, and from aluminum on models P-1710 and P-1730.

The models P-1720 and P-1730 are high air delivery models.

The P-1700 series is designed for double acting applications but can easily be used for single acting applications by plugging one port.

A PMV I/P converter in a stainless steel field housing which easily mounts on top of P-1700 series is available.



**PMV pneumatic rotary positioner model P-1700.**

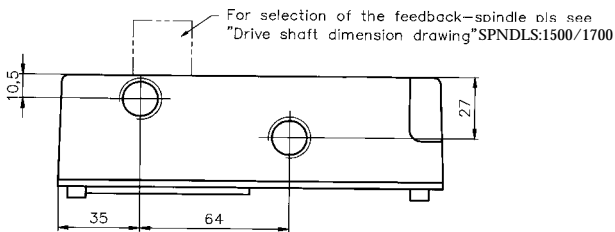
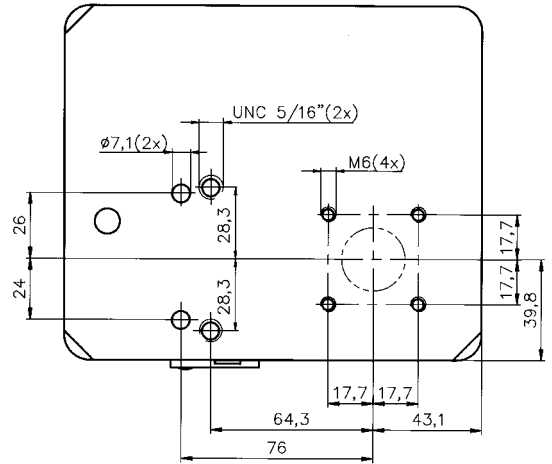
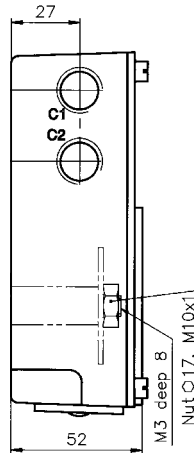
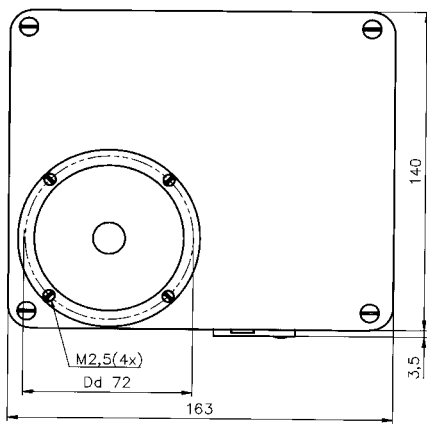
## Features and benefits

- Sturdy design.
- Simple and easy to calibrate.
- Low air consumption.
- High air delivery.
- External zero adjustment.
- Bright, visible indicator.
- Split range cam standard.
- Simple change of range spring from 12 Psi to 24 Psi.
- Can reverse rotation simply and quickly.

## Technical Specifications:

	P-1700	P-1720	P-1710	P-1730
Air consumption at 0,6 MPa (85 Psi) supply pressure	10 nl/min (0.35 SCFM)	20 nl/min (0.71 SCFM)	10 nl/min (0.35 SCFM)	20 nl/min (0.71 SCFM)
Air delivery at 0,6 MPa (85 Psi) supply pressure	240 nl/min (8.4 SCFM)	450 nl/min (16 SCFM)	240 nl/min (8.4 SCFM)	450 nl/min (16 SCFM)
Gain factor at 0,6 MPa (85 Psi) supply pressure	250	250	250	250
Connections	1/8" NPT			
Hysteresis	0,5%			
Linearity	0.5%			
Repeatability	0.5%			
Sensitivity	0.3%			
Input signal	0,2 - 1 kPa, 3-15 Psi (6-30 Psi optional)			
Supply pressure	Max 1 MPa (150 Psi)			
Temperature range standard	-40°C to +90°C (-40 to +194°F)			
Weight P-1700, P-1720	3,4 kg (6.54 lbs)			
Weight P-1710, P-1730	3,1 kg ( 5.96 lbs)			

# Dimensional Drawing



Order information:  
A2 for 1/8"-27 NPT male connectors.

## Ordering Information

<b>1. Model</b>	P1700	Double acting, pneumatic, all stainless steel
	P1710	Double acting, pneumatic, brass/Al internals
	P1720	Double acting, pneumatic, high capacity, all stainless steel
	P1730	Double acting, pneumatic, high capacity, brass/Al internals
<b>2. Air connections</b>	N	1/8" NPT
<b>3. Spindle</b>	01	C01-C34, Se drawing SPNDLS:1500/1700
<b>4. Cam</b>	F01	F01S to F50S, F01 linear 90 deg, split range
<b>5. Cover</b>	PV9	90 deg, 0-100% scale
	PV0	No indicator
<b>6. Function</b>	D	D=direct, R=reverse
<b>7. Indicator</b>	F	Flag
	B	Blind
<b>8. Input signal</b>	3	3=3-15 psi, 6=6-30 psi
<b>9. Seals, temperature</b>	Z	Z=NBR -40 deg C
	V	Viton
	Q	Silicon
	S	Super high temp

**Example:** P1700N-23F01-PV9DF-3Z  
1 2 3 4 5 6 7 8 9



Palmstiernas Instrument AB  
Korta Gatan 9  
SE-171 54 Solna  
SWEDEN  
Tel: +46 (0) 8 555 106 00  
Fax: +46 (0) 8 555 106 01  
E-mail: info@pmv.nu  
Internet: www.pmv.nu

### SUBSIDIARIES:

**PMV Controls Ltd**  
Headlands Business Park  
Ringwood  
Hampshire BH24 3PB  
ENGLAND  
Tel: +44 (0) 1425 48 08 88  
Fax: +44 (0) 1425 48 08 89  
E-mail: sales@pmv-controls.ltd.uk  
Internet: www.pmv-controls.ltd.uk

**PMV-USA, Inc**  
1440 Lake Front Circle  
Unit 160  
The Woodlands, Texas 77380  
USA  
Tel: +1 281 292 7500  
Fax: +1 281 292 7760  
E-mail: pmvusa@pmvusa.com  
Internet: www.pmvusa.com

**PMV GmbH**  
Postfach 2310  
D-41554 Kaarst  
GERMANY  
Tel: +49 (0) 2131 795 74 80  
Fax: +49 (0) 2131 795 74 99  
E-mail: info@pmv-germany.de  
Internet: www.pmv-germany.de

**Palmstiernas Svenska AB**  
Box 21  
SE-663 21 Skoghall  
SWEDEN  
Tel: +46 (0) 54 52 14 70  
Fax: +46 (0) 54 52 14 42  
E-mail: info@palmstiernas.se  
Internet: www.palmstiernas.se



Total Chlorine  
Free Paper