

Thermo Scientific Ramsey Protection Switches

Thermo Scientific™ Ramsey™ conveyor protection switches monitor your conveyors, equipment, and processes. Using our conveyor protection switches to prevent accidents, protect equipment, and reduce unscheduled shutdowns helps to keep your profits and production at their highest levels.

Features and Benefits

- Rugged, heavy-duty design
- CSA approved for CL II, Div 1 & 2, Group E, F & G applications
- Accessories to suit your application
- Available with addressable modules providing switch ID to PLC



Thermo Scientific Ramsey conveyor protection switches are used for position information, control signals, and to identify potentially hazardous situations with your process equipment. When hazardous situations occur they activate alarms to stop your equipment. This keeps your personnel safe and limits damage to your equipment.

These conveyor protection switches utilize a rugged heavy duty design. They are built to last, providing many years of dependable service. The modular design of the base unit provides added convenience for installation and maintenance. Numerous options allow you to pick the right switch to fit your applications. Use the conveyor protection switches to protect your business in even the most challenging applications.



Thermo
SCIENTIFIC



Model ROS

Model SPS

Model TPS

Thermo Scientific Ramsey Belt Misalignment Switch

This belt misalignment switch is used to monitor the position and tracking of conveyor belts. It is mounted on the conveyor structure and adjusted so the roller arm is the proper distance and angle from the outside edge of the belt. When a belt drifts out of alignment it contacts the roller actuator arm which rotates the actuation shaft, causing the belt misalignment switch to send an alarm signal.

The actuation shaft has two cams inside the housing. Each cam actuates an independent SPDT micro-switch for alarm signals. The first micro-switch actuates with a 10° rotation of the actuation shaft for a warning alarm signal, allowing operators to address the situation before it becomes a problem. The second micro-switch actuates with a 20° rotation of the actuation shaft for a shut down alarm signal in order to prevent or minimize equipment damage. The roller arm has internal stainless steel bearings. This allows the switch to be used on conveyors with belt speeds up to 1250 feet per minute with outstanding service life.

Thermo Scientific Ramsey Safety Cable Pull Switch

This safety cable pull switch is used as an emergency shutdown device for conveyors or other equipment. They meet OSHA and MSHA requirements for safety shutdown devices.

Safety pull cables are attached to the actuating arm of the switch. When force is applied to the pull cable it rotates the actuating arm and actuating shaft. At a 20° rotation the switch enters a tripped and locked position. The actuating shaft has two cams inside the housing. Each cam simultaneously actuates an independent SPDT micro-switch for shutdown and alarm signals.

The safety cable pull switch has one housing layout that may be used interchangeably in mid-run or end-run positions of the safety pull cables.

Standard safety cable pull switches include a manual reset lever. This lever keeps the switch locked in an alarm condition until it is manually reset by an operator.

Thermo Scientific Ramsey Tripper Position Switch

This tripper position switch is a heavy duty limit switch. It is often used to indicate the position of a tripper on a conveyor with multiple discharge points. However, it can be used anywhere you need an extremely heavy duty limit switch with physical activation.

The actuating arm of the tripper position switch uses a large Acetal contact roller, 3 in diameter by 1.75 in wide. When the roller makes contact it rotates the actuation shaft which has two cams inside the housing. Each cam actuates an independent SPDT micro-switch for position or alarm signals.

The switch can be ordered with an option where one of the SPDT switches is actuated with clockwise rotation and the other SPDT switch is actuated with counter-clockwise rotation. This allows you to identify which direction the switch is activated from.

Nomenclature for ROS, SPS, & TPS

A **B** **C** **D** **E**

PRODUCT IDENTIFIER

SWITCH VERSION NUMBER

HAZARDOUS AREA APPROVALS

FINISH / NEMA RATING

OPTIONS

Nomenclature Examples

ROS-2D	<i>Standard Belt Misalignment Switch</i>
ROS-2D-4X	<i>Belt Misalignment Switch, CSA approved for NEMA 4X</i>
SPS-2D-3-4X	<i>Safety Pull Switch, CSA approved for Class II and NEMA 4X</i>
SPS-2D-3-LT	<i>Safety Pull Switch, CSA approved for Class II, with alarm light</i>
TPS-2D-NP	<i>Tripper Position Switch, nickel plated</i>

E. OPTIONS (add all that apply)

(blank) Standard

LT Alarm Light

RST Manual reset lever (Standard on SPS)

FLG Auxilliary flag alarm

SA Short roller arm for tight areas (ROS only)

MTBR Mounting bracket

CCW Independent signals for CW/CCW (TPS only)

Met Metric threads for conduit mounting holes

ADD Addressable modules

D. FINISH / NEMA RATING

(blank) Standard, yellow corrosion resistant urethane enamel, NEMA-4 rating

4X CSA approved for NEMA-4X (Yellow finish only)

NP Nickel plated for extra corrosion protection

C. HAZARDOUS AREA APPROVALS

(blank) Standard, no approvals

3 CSA approved for Class II, Div 1 & 2, Groups E,F, and G

B. SWITCH VERSION NUMBER

2D 2 SPDT contacts

A. PRODUCT IDENTIFIER

ROS Belt Misalignment Switch

SPS Safety Pull Switch

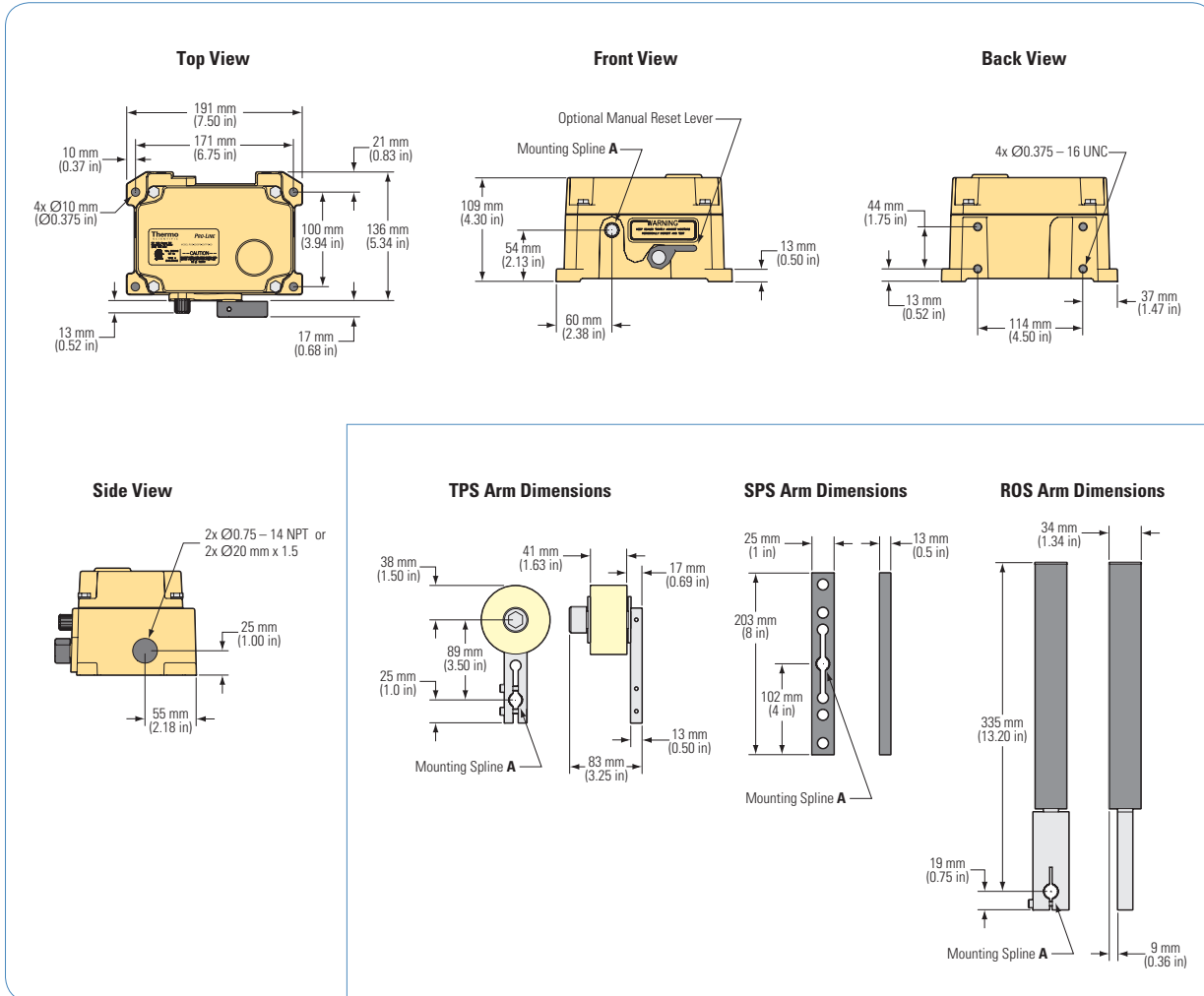
TPS Tripper Position Switch

Thermo Scientific Ramsey Conveyor Protection Switches

General Specifications

Outputs	Two SPDT contacts rated for 10A 250 VAC
Temperature	-25°C to +80°C (-13°F to +176°F)
Enclosure Rating	NEMA 4 weatherproof (Optional NEMA 4X)
Conduit Openings	Up to three, threaded 3/4-14 NPT (optional Ø20 mm x 1.5 metric threads)
Actuating Arm Adjustments	+22.5° increments from vertical
Agency Approvals	CSA for ordinary locations or available with CSA approval for Class II, Division 1 & 2, Groups E, F, & G
Actuating Force (ROS)	2.27 kg (5 lb)
Spacing (SPS)	Recommended 30 m (100 ft) switch spacing and cable supports every 3 m (10 ft); maximum spacing of 60 m (200 ft) on horizontal conveyors and 45 m (150 ft) on inclined conveyors
Pull Force Rating (SPS)	3.63 kg (8 lb) to 8.16 kg (18 lb)

Nomenclature for ROS, SPS, & TPS



thermoscientific.com/bulkweighing

© 2014 Thermo Fisher Scientific Inc. All rights reserved. Results may vary under different operating conditions. Specifications, terms and pricing are subject to change. Not all products are available in all countries. Please consult your local sales representative for details.

Australia
+61 (0) 8 8208 8200
+61 (0) 8 8234 3772 fax

Brazil
+55-11-2367-2192
+55-11-2367-2192 fax

PI.8049.0814

Chile
+56 (0) 2 378 5080
+56 (0) 2 370 1082 fax

China
+86 (0) 80 0810 5118
+86 (0) 21 6445 1101 fax

Germany
+49 (0) 208-824930
+49 (0) 208-852310 fax

India
+91 (20) 6626 7000
+91 (20) 6626 7001 fax

Italy
+39 02-950590-55
+39 02-953200-15 fax

Mexico
+52 (55) 1253 9410
+52 (55) 1253 9424 fax

South Africa
+27 (0) 11-822-4120
+27 (0) 11-822-3982 fax

Spain
+34 (0) 91-484-5965
+34 (0) 91-484-3597 fax

United Kingdom
+44 (14) 4241 3700

United States & Canada
+1 (800) 445-3503
+1 (763) 783-2525 fax
+1 (763) 783-2500 direct

Thermo
SCIENTIFIC

A Thermo Fisher Scientific Brand