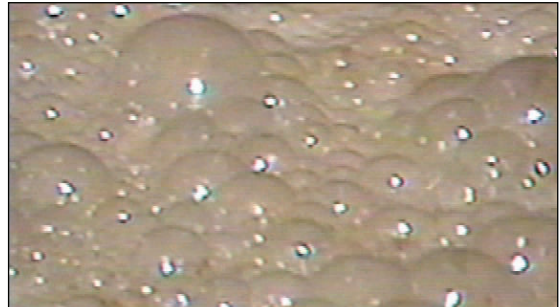
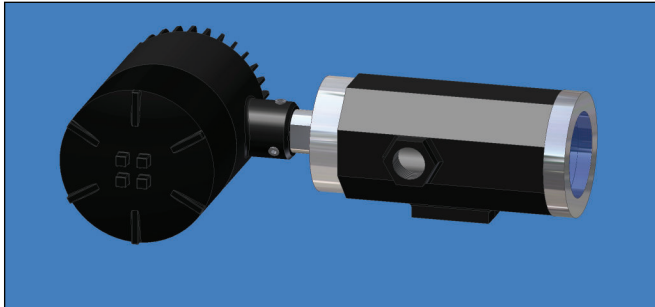


CANTY

PROCESS TECHNOLOGY

FROTH CONTROL SYSTEMS

Ethernet Based Camera Systems



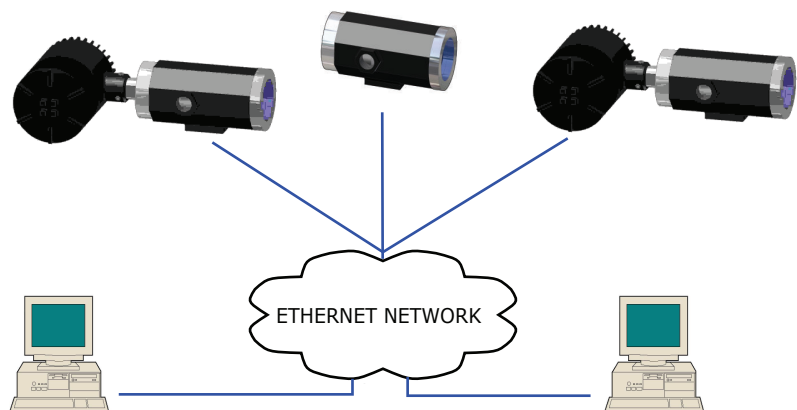
An Ethernet camera is used to provide the measurement image to a customer supplied PC with Microsoft Windows XP O/S and Ethernet connectivity. CANTYVISIONCLIENT™ software is included with each camera. CANTYVISIONCLIENT™ software interfaces with each camera thru TCP/IP to obtain digital images over an Ethernet network. The image from each camera is dynamically analyzed for bubble size, froth velocity and stability.

P/N: VD4912-303 - Ideal for open tanks

Ethernet Camera System w/ Companion Light, NEMA 4 WP enclosure

- 120V AC supply required. Cauty provides 120V AC to 12V DC transformer.
- 41 d (H) view angle
- Companion 80W Toroidal Lighting System w/ Long Life Bulb for Continuous Illumination
- Includes CANTYVISIONCLIENT™ software for bubble size, froth velocity, stability.
- Customer provides suitable mounting bracket

- **Remote View and Control over Ethernet Network**
- **Point and Click Control**
- **TCP/IP Communication**
- **CANTYVISIONCLIENT™ Software Installs on any Microsoft XP PC**
- **Optional Recording Software**
 - Burn to CD, Archive on Hard Drive
- **Optional Wireless Video Transmission System Available**



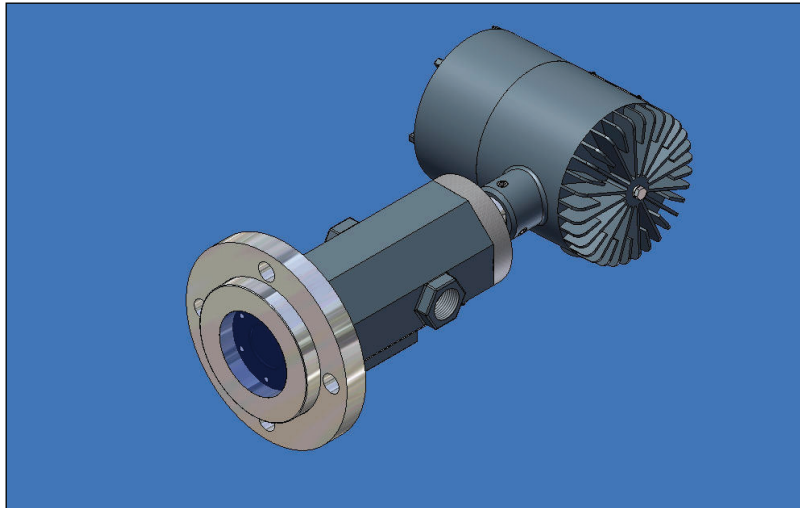
CANTY

JM Cauty Inc | Buffalo, NY USA
JM Cauty Intl Ltd | Dublin, Ireland

Ph: (716) 625 4227
Ph: + 353 (01) 882 9621

Fax: (716) 625 4228
Fax: +353 (01) 882

www.jmcanty.com



Camera With Companion Light - 3", 150# ANSI flange connection
P/N : V6E61BC1J - Ideal for enclosed tanks

Ethernet Camera System w/ Companion Light, NEMA 4 WP enclosure. 3", 150# ANSI flange mount.

- 120V AC supply required. Canty provides 120V AC to 12V DC transformer.
- 41 d (H) view angle
- Companion 80W Toroidal Lighting System w/ Long Life Bulb for Continuous Illumination
- Includes CANTYVISIONCLIENT™ software for bubble size, froth velocity, stability.
- Designed for use on moly tanks with applications using nitrogen gas for a completely enclosed process

CantyVision™ Froth Analysis Software

- Measure Bubble Size
- Froth Velocity
- Froth Stability Measurement
- Single Input, 8 Input, 12 Input Multiplexer Options
- Optional 4-20 mA Current Loop Outputs Available
- Output to EXCEL Spreadsheet, Archive to File, CD

CANTY

JM Canty Inc
JM Canty Intl Ltd

Buffalo, NY USA
Dublin, Ireland

Ph: (716) 625 4227
Ph: + 353 (01) 882 9621

Fax: (716) 625 4228
Fax: +353 (01) 882

www.jmcanty.com