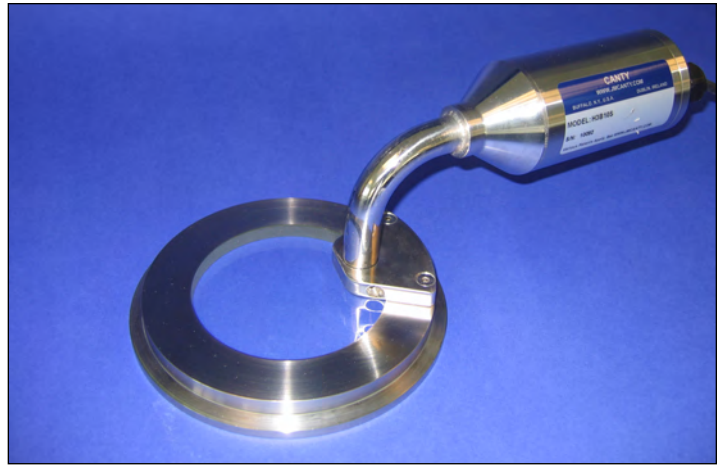
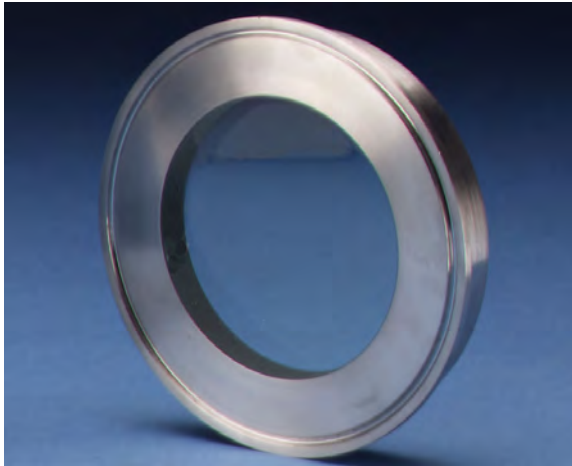


# CANTY

## PROCESS TECHNOLOGY

### FUSEVIEW™ TRI-CLAMP® SIGHT GLASS



#### THE CANTY ADVANTAGE

J.M. Canty Fuseview™ sight glasses have been engineered to meet all your process and safety needs. Fuseview™ Tri-clamps® are a fused sight glass providing one-piece construction with no additional gaskets or torquing required. All standard Tri-clamp® Fuseviews™ were designed and tested to ensure the safest product available. Canty can provide certification of material and testing if required, typical of ASME code requirements for process vessels.

#### UNMATCHED SAFETY, RELIABILITY

All Canty sight glasses feature the Fuseview™ window. Our unique fused glass windows far exceed all conventional tempered glass windows in safety and performance. By fusing glass to metal, a high pressure, high safety, hermetic seal is formed. The fused glass Technology ensures safety with every Fuseview™. What's more, our windows can easily be removed for cleaning. Canty windows do not have to be discarded, as do traditional tempered glass windows. Canty fused glass windows can be re-used again and again.

#### OPTIONS

- Lighting - Flex bundle light available to eliminate the need for a second nozzle.
- Jet spray ring - integral or two piece spray ring available for cleaning glass.
- NA-Connect mounting options available, see datasheets TA9805-1 and TA10646-1.

#### FEATURES

- Stainless Steel, Alloy C, Hastelloy®C276 or equal, or Hastelloy® C-22® or equal one piece construction
- Pressure rating to 150 PSI [10 bar], actual rating is dictated by clamp and ferrule selection
- Standard temperatures to 450°F [232°C]
- One piece sanitary construction
- Connects to standard Tri-clamp® connection
- Special sizes available per drawing request
- Many, many more

#### ADVANTAGES OF THE FUSEVIEW™

- Extremely high strength due to radial compression on the hermetically sealed glass
- Very high impact strength and thermal shock resistance due to prestressing
- Operates under positive or negative pressure
- Certification on material and pressure rating is available, typical of ASME code requirements

#### CANTY FUSEVIEW™ VS. OTHERS

- No loss of glass temper over time
- Scratches do not affect safety or life
- Unlike tempered glass, a Fuseview™ will not blow out if the surface is damaged
- No extra gaskets, shims, packing, or retaining rings to worry about

**CANTY**

JM Canty Inc  
JM Canty Intl Ltd

Buffalo, NY USA  
Dublin, Ireland

Ph: (716) 625 4227  
Ph: + 353 (01) 882 9621

Fax: (716) 625 4228  
Fax: +353 (01) 882 9622

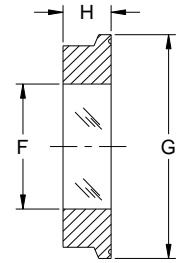
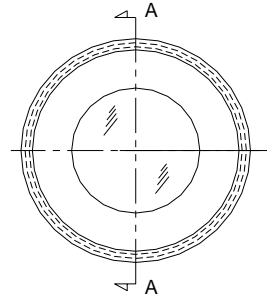
[www.jmcanty.com](http://www.jmcanty.com)

Document P/N: TA7653-1 Rev 11

All registered trademarks are the property of their respective owners.

# FUSEVIEW™ TRI-CLAMP® SPECIFICATIONS

SIZE	F	G	H	TEMP RATING
1" / 1.5" / 40mm	.94" [23.9mm]	1.98" [50.3mm]	.68" [17.3mm]	450°F [232°C]
2" / 50mm	1.18" [30mm]	2.52" [64mm]	.68" [17.3mm]	450°F [232°C]
2.5"	1.50" [38.1mm]	3.05" [77.5mm]	.68" [17.3mm]	450°F [232°C]
3" / 65mm	2.00" [50.8mm]	3.58" [90.9mm]	.68" [17.3mm]	450°F [232°C]
3.5" / 80mm	2.50" [63.5mm]	4.17" [106mm]	.68" [17.3mm]	450°F [232°C]
4" / 100mm	3.00" [76.2mm]	4.69" [119.1mm]	.68" [17.3mm]	450°F [232°C]
6"	4.00" [101.6mm]	6.57" [166.9mm]	.68" [17.3mm]	450°F [232°C]
8"	5.70" [144.8mm]	8.57" [217.7mm]	.68" [17.3mm]	450°F [232°C]



SECTION A-A

## Ordering Information

HOW TO ORDER: Select the appropriate options and build a part number as shown:

EXAMPLE:

**S\_A\_1\_OA0**

MODEL:

- 4 = Fuseview™ Tri-Clamp®
- A = Flex Mount Tri With Tapped Holes and Brackets
- B = Flex Mount Tri With Tapped Holes

SIZE:

- 8 = 1" / 1.5" / 40mm
- 9 = 2" / 50mm
- A = 2.5"
- B = 3" / 65mm
- F = 3.5" / 80mm
- C = 4" / 100mm
- D = 6"
- E = 8"

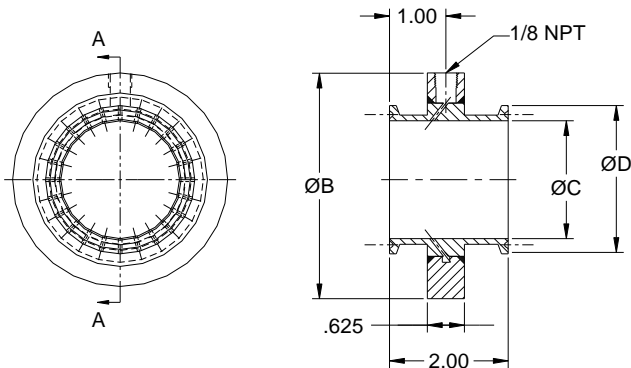
- FINISH: (wetted) (non-wetted = 32 µin [.81 µm] Ra)
- 0 = 20 µin [.51 µm] Ra (standard) (BPE-SF1)
- C = 15 µin [.38 µm] Ra
- L = 20 µin [.51 µm] Ra Electropolished (BPE-SF5)
- M = 15 µin [.38 µm] Ra Electropolished (BPE-SF4)

MATERIAL: (wetted)

- B = 316L Stainless Steel\*
- C = Alloy C
- D = Hastelloy® C276 or equal
- E = Hastelloy® C-22® or equal

\* Canty reserves the right to upgrade to Hastelloy® C-family of alloys or equal at their own cost.

## Optional Spray Ring



SECTION A-A

EXAMPLE:

**SR6A\_ \_ A**

MATERIAL (wetted):

- 1 = 316L Stainless Steel
- 4 = Hastelloy® C276 or equal
- 5 = Hastelloy® C22® or equal

SIZE:

- A = 1.5"
- B = 2"
- C = 3"
- D = 4"
- E = 6"

All registered trademarks are the property of their respective owners.

**CANTY**

JM Canty Inc | Buffalo, NY USA  
JM Canty Intl Ltd | Dublin, Ireland

Ph: (716) 625 4227  
Ph: + 353 (01) 882 9621

Fax: (716) 625 4228  
Fax: +353 (01) 882 9622

[www.jmcanty.com](http://www.jmcanty.com)