

CANTY

PROCESS TECHNOLOGY

HYL 82 SANITARY LIGHTING SYSTEMS



HOW IT WORKS

The HYL 82 Sanitary Light is designed to illuminate pressurized, irradiated or isolated areas. The HYL 82 lighting package provides a compact, cost effective lighting system. Our patented design allows for an intense beam of light to cross the pressure/process boundary. Once across, the beam can be diffused to produce conical light outputs of 30° (normal beam) or 90° (wide beam). The HYL 82 light can mate with a variety of sanitary couplings.

FEATURES

- Aluminum Light With 304L SS Shroud
- NEMA 4, IP 66 rated
- Efficient high output 80 W Tungsten Halogen lamp
- All wiring and maintenance external

APPLICATIONS

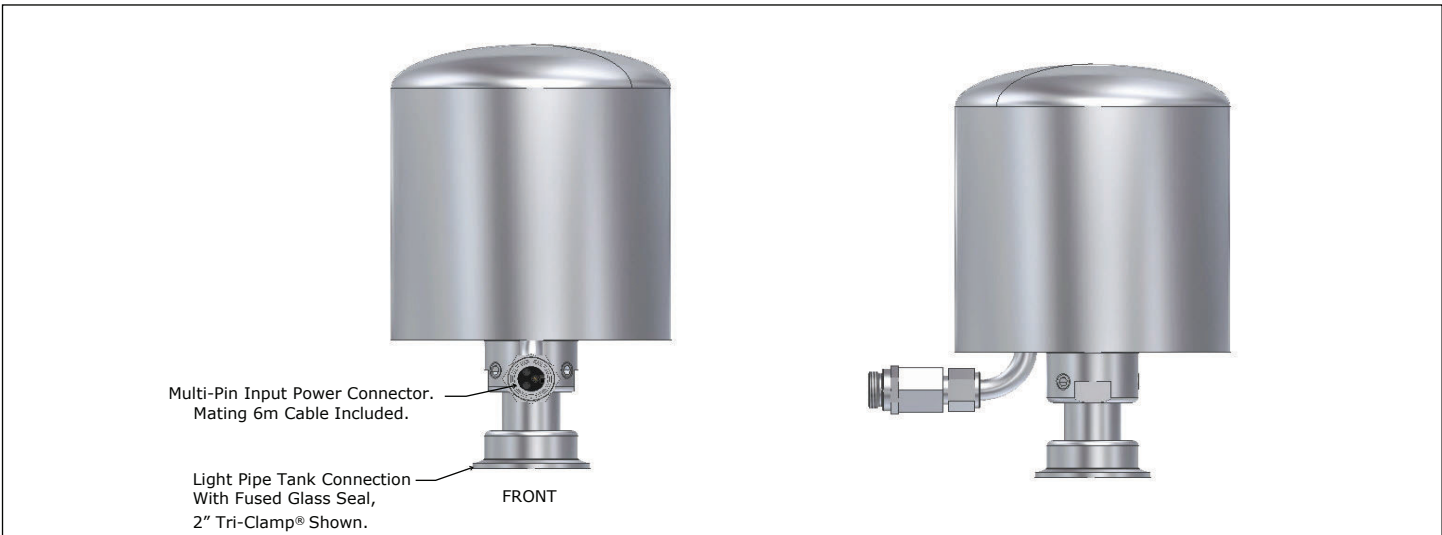
- Brewery Lighting
- Process Vessels and Equipment
- Brewery Applications
- Research Vessels
- Dryers
- Sterilizers

SPECIFICATIONS

- Light Pipe
 - Rating: NEMA 4, IP 66
 - Pressure: Full Vacuum to 10,000 PSI available. Consult factory.
 - Mounting: Tri-Clamp®, NA-Connect® models available
- Light Source
 - Rating: NEMA 4, IP66
 - Power Req: 80 VA max
- Power Supply
 - Options: Base Mount (non WP), OEM (bare transformer) WP Fiberglass or SS PSU boxes

UNIQUE DESIGN

Our patented design consists of three main components: light source, light pipe, and power supply. An infra red filter is used to remove heat from the light, providing only cool, effective light into the process. A high output, low voltage bulb and reflector deliver the maximum amount of light into the vessel. Light is guided fiber-optically through the light pipe into the process or pressure area. All Canty light pipes feature our high pressure, high temperature fused glass seal for maximum safety. A variety of couplings are available. The power supply is available in OEM, base mounted, and WP options.



Ordering Information

HOW TO ORDER: Select the appropriate symbols and build a part number as shown.

Recommended model options are shown in bold.

EXAMPLE:

HJCS4F00

Weather Proof / Ingress Protection

HJ - HYL 82 Series 80W Light w/ Separate Power Supply. Customer supplies 120V AC input to Power Supply

HK- HYL 82 Series 80W Light w/ Integral Transformer
Customer supplies 120V AC input to light and switch

Power Supplies

(HK) HYL 82 Sanitary Light with Integral Transformer

U - Customer supplies 120V AC input to light and switch

(HJ) HYL 82 Sanitary Light with Separate Power Supply

A - Includes WP/IP Fiberglass Power Supply with ON/OFF Switch, Transformer and Timer (120V AC)

B - Includes 120V AC Input Stepdown Transformer, 50/60Hz. Customer Supplies Enclosure, Switch and Wiring

C - Includes 304 SS Power Supply with ON/OFF Switch, Transformer and Timer (120V AC)

D - Includes 304 SS Power Supply with ON/OFF Switch, Transformer and Timer (230V AC)

Wetted Materials

S - 316L SS*

D - Hastelloy® C276 or equal

E - Hastelloy® C-22® or equal

*Canty Reserves the right to upgrade to Hastelloy® C-family of alloys or equal at their own cost

Insertion Length

0 - None	5 - 5" Ins	B - 11" Ins
1 - 2" Ins	6 - 7" Ins	C - 12" Ins
2 - 6" Ins	7 - 8" Ins	D - 13" Ins
3 - 3" Ins	8 - 9" Ins	E - 14" Ins
4 - 4" Ins	A - 10" Ins	

Mounting Connection

E - 1" or 1.5" Tri-Clamp®/NA-Connect®

F - 2" Tri-Clamp®/NA-Connect®

Y - 2.5" Tri-Clamp®/NA-Connect®

G - 3" Tri-Clamp®/NA-Connect®

H - 4" Tri-Clamp®/NA-Connect®

Many Additional Sizes and Mounting Options Available. Consult Factory for Details.

Beam Option

3 - Wide Beam High Temp. (90°) cone

4 - Normal Beam High Temp. (30°) cone

WP = Weather Proof
IP = Ingress Protection

All registered trademarks are the property of their respective owners.