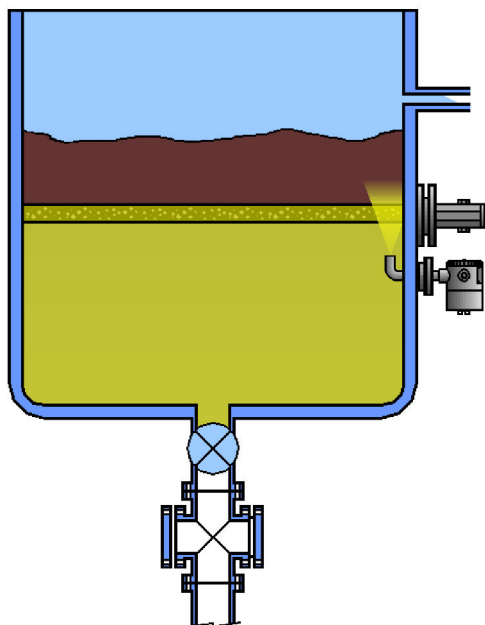


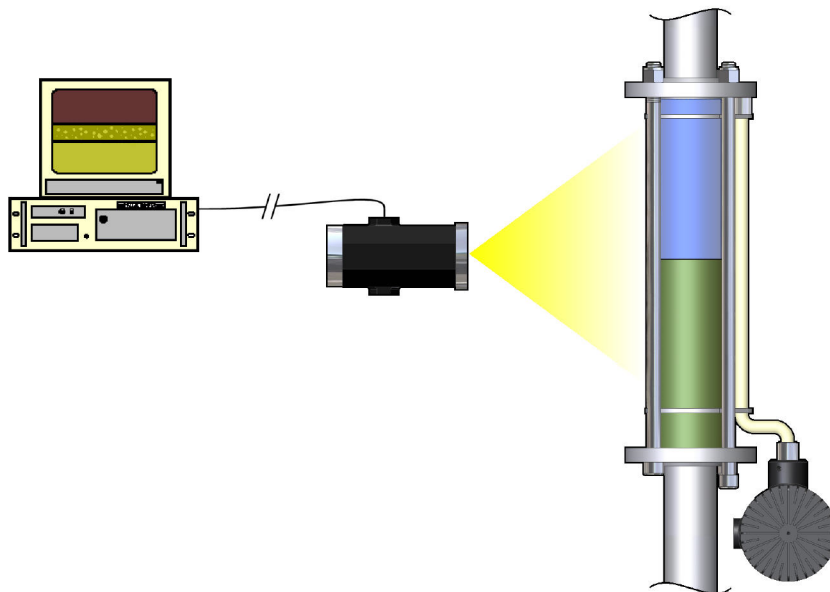
CANTY

PROCESS TECHNOLOGY

CONTINUOUS INTERFACE CONTROL



DIRECT MOUNT INTERFACE SYSTEM



GAGE LIGHT INTERFACE SYSTEM

WHAT IT DOES

- Continuous or Batch Options
- Non-Contact
- Visual Verification
- Detect and measure all three phases Organic liquid A from aqueous liquid B and Emulsion of A & B

PHASE SPLIT

Monitor phase split in batch mode on organic droplets for increased product recovery. As the droplets appear the system warns of organic phase and the upcoming emulsion. The amount of early droplets and their retraction time will indicate the completeness of the separation. Once the split is identified and stopped, the operator has a visual verification from the video monitor. The color can then be analyzed to ensure there is no inversion.

FEATURES

Canty Image System for Continuous Interface measurement begins at startup. The system will monitor the emission phase and detect when phase A/B occurs, avoiding any flow of the emulsion into the incorrect area. When phases are separated, the system allows for tight control, which increases efficiency of separation of liquids A&B.

OUTPUTS

System verifies the color of fluid in phase split and sends an output signal locating specific points of interface. All measurements can be recorded and archived for a historical record.

SPRAY RING

The Canty Jet Spray Ring eliminates the problem of coating.

CANTY

JM Canty Inc

Buffalo, NY USA

Ph: (716) 625 4227

Fax: (716) 625 4228

JM Canty Intl Ltd

Dublin, Ireland

Ph: + 353 (01) 882 9621

Fax: +353 (01) 882 9622

www.jmcanty.com

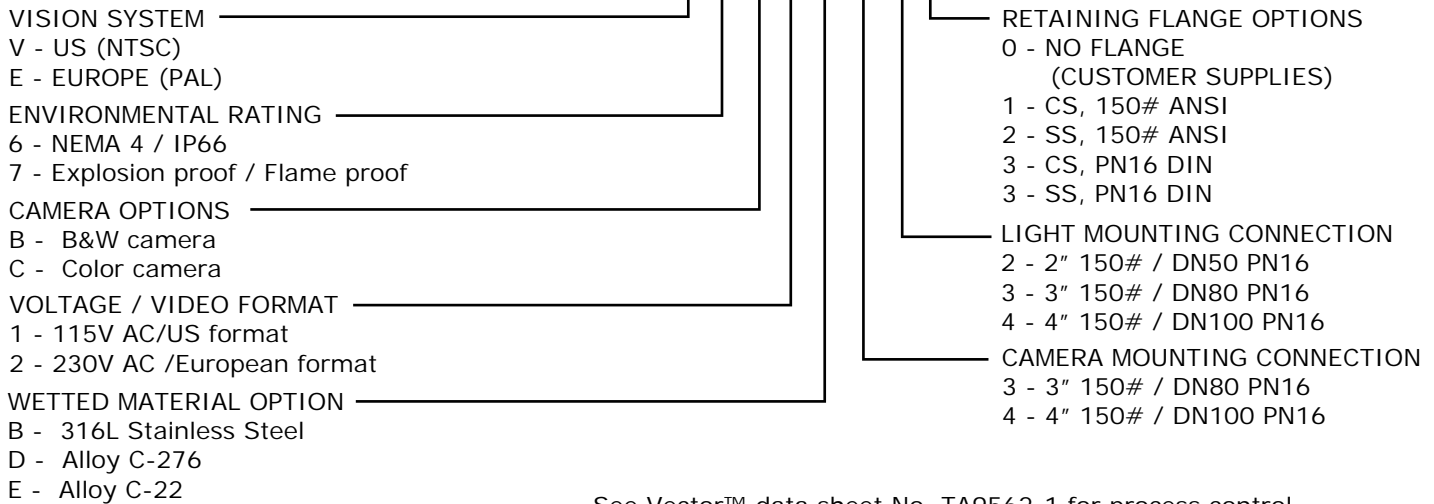
Ordering Information

HOW TO ORDER: Select the appropriate symbols and build a model number as shown:

DIRECT MOUNT INTERFACE SYSTEM

EXAMPLE:

DMIS-V7C1B442

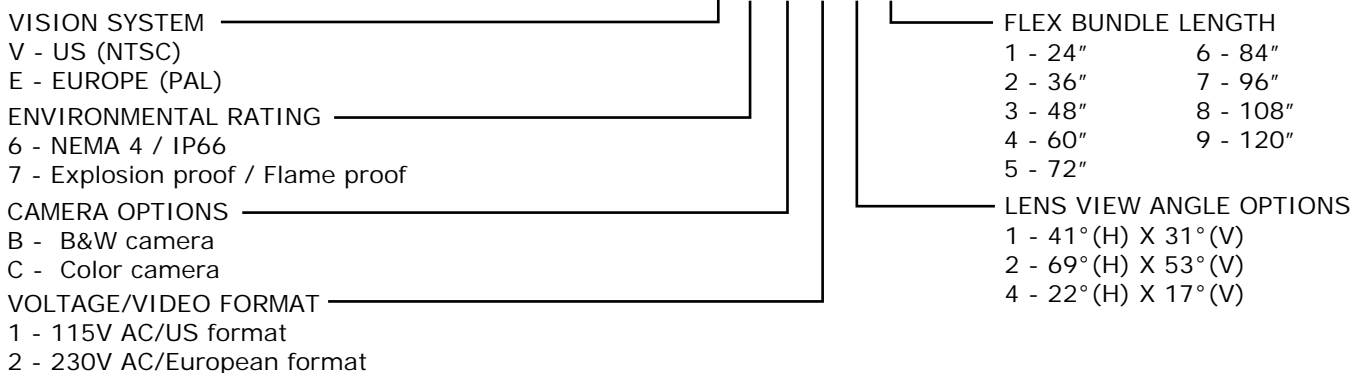


See Vector™ data sheet No. TA9562-1 for process control

GAGE LIGHT INTERFACE SYSTEM

EXAMPLE:

GLIS-V7C123



CAMERA LENS SELECTION TABLE

Select lens view angle for the vision system camera above by using approximate gage glass length, and desired mounting distance from gage glass to vision system camera

Lens View Angle	12 in. Glass	18 in. Glass	24 in. Glass	30 in. Glass	36 in. Glass	40 in. Glass	48 in. Glass
41° (H) X 31° (V)	24in	36in	48in	60in	72in	84in	96in
69° (H) X 53° (V)	13in	20in	26in	33in	40in	46in	53in
22° (H) X 17° (V)	44in	66in	---	---	---	---	---

Vector™ System
(Desk Mount)

US Video format (NTSC)
European Video format (PAL)

Model No. VCB3500-LIC
Model No. VPB3500-LIC

Data Sheet TA9562-1
Data Sheet TA9562-1

CANTY

JM Canty Inc | Buffalo, NY USA | Ph: (716) 625 4227 | Fax: (716) 625 4228
 JM Canty Intl Ltd | Dublin, Ireland | Ph: + 353 (01) 882 9621 | Fax: +353 (01) 882 9622

www.jmcanty.com