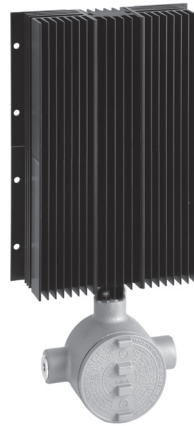
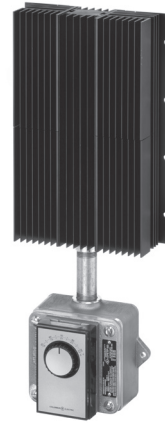


XPMC Explosion Proof Enclosure Heater

- 120V-240V
 - Maximum 600W
 - Anodized Aluminum
 - 6" & 12" Lengths Available
 - 0, 1, or 2 sets of Heat Sinks
 - Available with or without ambient thermostat
 - Ambient Thermostats
 - 70°F (21°C) Open at 70°F (21°C) close at 50°F (10°C)
 - 100°F (38°C) Open at 100°F (38°C) close at 80°F (27°C)
 - Adjustable, 50°F to 90°F (10°C to 32°C)
 - CSA Certified; Class I, Div 1&2, Groups B, C, D
- * Adjustable Thermostat Rated for Groups C&D Only, All Other Units Rated for C1, D1 & 2, B, C, D



12", 2 Heat Sinks



12", 2 Heat Sinks
with Adjustable
Thermostat



6", No Heat Sinks
with Fixed
Thermostat



Description

XPMC Enclosure Heaters are specifically designed to provide convective and radiant heat for freeze protection and condensation evaporation in localized, hazardous location areas where combustible chemicals, solvents, gases or liquids may be present. The XPMC construction features an anodized aluminum finned extrusion body, with heat sinks. This is heated by a Chromalox cartridge heater that is engineered to yield a precise surface temperature and exceptionally long life. The units may be ordered with body only, with body + 1 heat sink or with 2 heat sinks. Each additional heat sink increases the maximum wattage of the unit. Depending on the size of the area to be heated multiples of XPMC heaters can be used in tandem to achieve higher aggregate wattages and maintain required temperature T ratings.

The number of Heat Sinks may be adjusted to suit the wattage and T-rating required. Units may be ordered in 6" or 12" lengths from 120V to 240V.

Temperature ratings of T2, T3 and T3C are available.

Applications

- Instrumentation Control Panels
- Petrochemical plants
- Chemical Plants
- On-shore and Off-shore Oil Rigs
- Motor Control Centers
- Pump Station Houses
- Safety Storage Cabinets for volatiles and chemicals
- Utility Gas Plants – Storage of LNG and Natural Gas

Advantages

- Allows for heat to be provided in areas otherwise inaccessible for other models
- Higher wattages than the competition
- Available in 3 different T-ratings
- cCSAus certified for hazardous locations
- Excellent for freeze and condensation protection.

XPMC Explosion Proof Enclosure Heater (cont'd.)

Ordering Information

Watts	Volts	Length In. (mm)	Heat Sinks	Model	Stock	PCN	Wt. (Lbs.)
Temperature Code T3 (392°F, 200°C) Class 1, Div 1, Group B, C and D							
100	120	6 (152.4)	0	XPMC-6101T3	S	700015	6
150	120	6 (152.4)	1	XPMC-6111T3	NS	700023	7
225	120	6 (152.4)	2	XPMC-6121T3	S	700031	9
200	120	12 (304.8)	0	XPMC-12101T3	NS	700040	8
300	120	12 (304.8)	1	XPMC-12111T3	NS	700058	11
400	120	12 (304.8)	2	XPMC-12121T3	S	700066	14
100	240	6 (152.4)	0	XPMC-6201T3	NS	700074	6
150	240	6 (152.4)	1	XPMC-6211T3	NS	700082	7
225	240	6 (152.4)	2	XPMC-6221T3	NS	700090	9
200	240	12 (304.8)	0	XPMC-12201T3	NS	700103	8
300	240	12 (304.8)	1	XPMC-12211T3	NS	700111	11
400	240	12 (304.8)	2	XPMC-12221T3	NS	700120	14
Temperature Code T2 (572°F, 300°C) Class 1, Div 1, Group B, C and D							
150	120	6 (152.4)	0	XPMC-6101T2	NS	700138	6
250	120	6 (152.4)	1	XPMC-6111T2	NS	700146	7
350	120	6 (152.4)	2	XPMC-6121T2	NS	700154	9
300	120	12 (304.8)	0	XPMC-12101T2	NS	700162	8
400	120	12 (304.8)	1	XPMC-12111T2	NS	700170	11
500	120	12 (304.8)	2	XPMC-12121T2	S	700189	14
150	240	6 (152.4)	0	XPMC-6201T2	NS	700197	6
250	240	6 (152.4)	1	XPMC-6211T2	NS	700200	7
350	240	6 (152.4)	2	XPMC-6221T2	NS	700218	9
300	240	12 (304.8)	0	XPMC-12201T2	NS	700226	8
400	240	12 (304.8)	1	XPMC-12211T2	NS	700234	11
500	240	12 (304.8)	2	XPMC-12221T2	NS	700242	14
600	480	12 (304.8)	2	XPMC-12425T2	NS	700250	16
Temperature Code T3C (320°F, 160°C) Class 1, Div 1, Group B,C and D							
80	120	6 (152.4)	0	XPMC-6101T3C	NS	025857	6
120	120	6 (152.4)	1	XPMC-6111T3C	NS	025865	7
225	120	6 (152.4)	2	XPMC-6121T3C	NS	025873	9
150	120	12 (304.8)	0	XPMC-12101T3C	NS	025881	8
260	120	12 (304.8)	1	XPMC-12111T3C	NS	025890	11
275	120	12 (304.8)	2	XPMC-12121T3C	NS	025902	14
80	240	6 (152.4)	0	XPMC-6201T3C	NS	025910	6
120	240	6 (152.4)	1	XPMC-6211T3C	NS	025929	7
225	240	6 (152.4)	2	XPMC-6221T3C	NS	025937	9
150	240	12 (304.8)	0	XPMC-12201T3C	NS	025945	8
260	240	12 (304.8)	1	XPMC-12211T3C	NS	025953	11
275	240	12 (304.8)	2	XPMC-12221T3C	NS	025961	14
Stock Status: S = stock NS = non-stock To Order—Specify model, volts, heat sinks, kW, PCN and quantity.							

EXPLOSION PROOF
& CORROSIVE ENV.

Mounting Hardware

Model	Stock	PCN	Wt. (Lbs.)
PC4683-1	S	124011	1

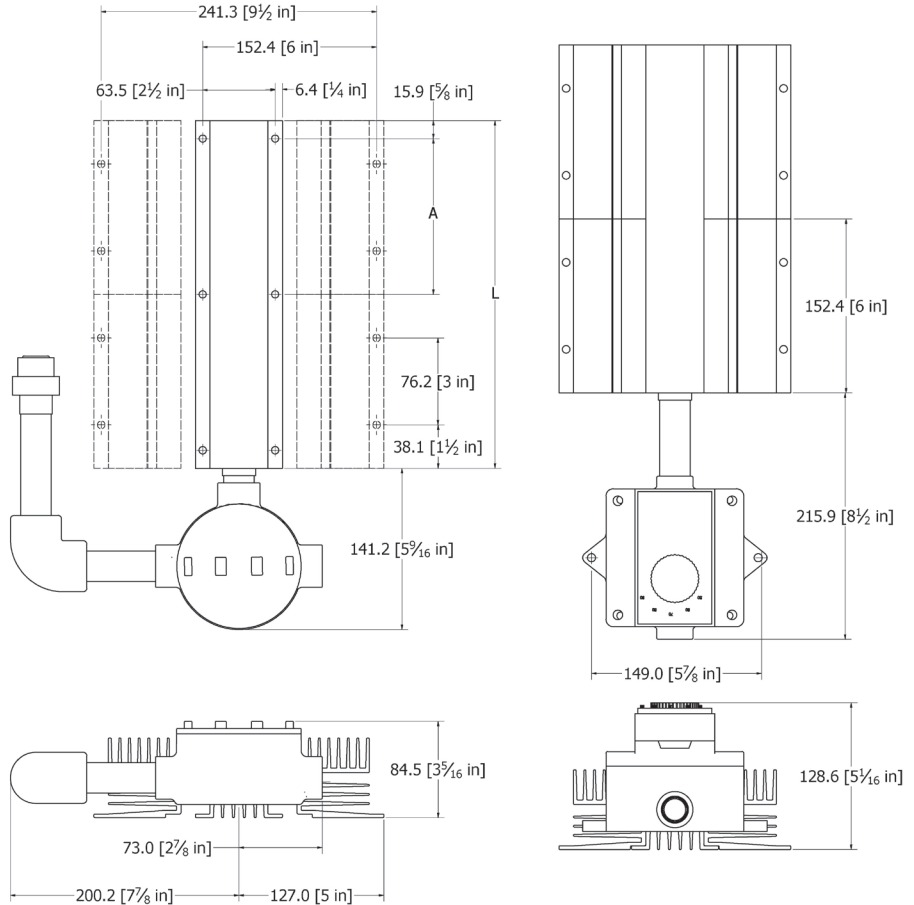
XPMC

Explosion Proof Enclosure Heater

(cont'd.)

Dimensions - mm (In.)

Length Code	L	A
6	151.8 (6)	60.3 (2-3/8)
12	303.6 (12)	136.5 (5-3/8)



Ordering Information

Complete the Model Number using the Matrix provided.

XPMC- Explosion Proof Convection Heater						
Code	Length					
6	6"					
12	12"					
Code	Volts					
1	120V					
2	240V					
Code	# of Heatsinks					
0	None					
1	1 side					
2	2 sides					
Code	Ambient Thermostat					
0	None					
1	70 (Standard)					
2	100					
3*	Adjustable Thermostat					
Code	T-Rating					
T2	T2 Rated					
T3C	T3C Rated					
T3	T3 Rated					
XPMC-	6	1	0	1	T2	Typical Model Number